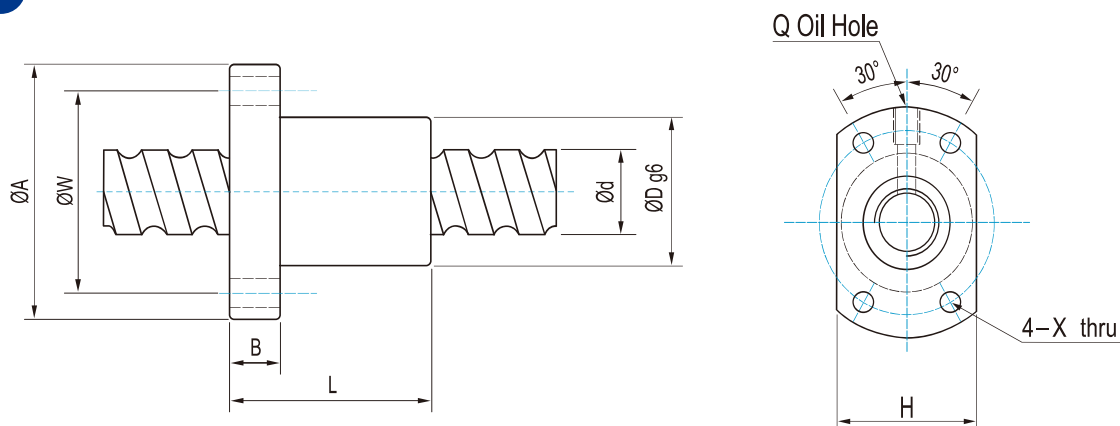


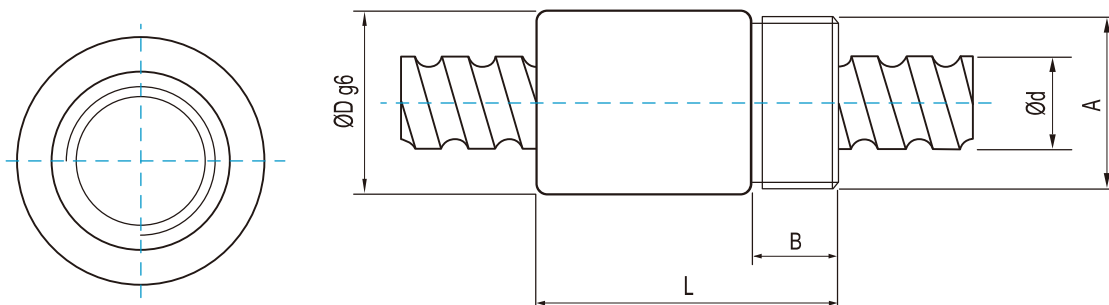
## FSB Type



Unit : mm

Model	Dimensions													Ca(Kgf)	Coa(kgf)
	d	l	Da	D	A	B	L	W	X	H	Q	n			
1404-3	14	4	2.381	31	50	10	40	40	4.5	37	M6	T3	684	792	
1405-3	14	5	3.175	32	50	10	45	40	4.5	38	M6	T3	1013	1056	
1605-3	16	5	3.175	34	54	10	42	44	4.5	40	M6	T3	1049	1144	
2005-3	20	5	3.175	40	60	10	47	50	4.5	46	M6	T3	1181	1496	
2505-3	25	5	3.175	43	67	10	47	55	5.5	50	M6	T3	1330	1936	
2510-3	25	10	4.762	60	96	15	75	78	9	72	M6	T3	2250	2772	
2510-4	25	10	4.762	60	96	15	97	78	9	72	M6	T4	2881	3695	
3210-3	32	10	6.35	67	103	15	78	85	9	78	M6	T3	3775	5877	
3210-4	32	10	6.35	67	103	15	97	85	9	78	M6	T4	4834	7835	
4010-4	40	10	6.35	76	116	17	100	96	11	88	M6	T4	5399	10074	

## RSH Type



Unit : mm

Model	Dimensions									Ca(Kgf)	Coa(kgf)
	d	l	Da	D	A	B	L	n			
12H2-1.5	12	12.7	2.381	29.5	M25x1.5P	12	50	A1	397	445	
16H5-3.5	16	5.08	3.175	25.4	15/16"x16un	12.7	43.43	C1	1348	1745	