

SNN – Slimline, normal, low R1694 ... 1.

**Dynamic characteristics**Travel speed: $v_{\max} = 3 \text{ m/s}$ Acceleration: $a_{\max} = 250 \text{ m/s}^2$ (If $F_{\text{comb}} > 2.8 \cdot F_{\text{pr}}$: $a_{\max} = 50 \text{ m/s}^2$)**Note on lubrication**

- ▶ No initial lubrication

Note

Can be used on all SNS/SNO ball guide rails.

Options and material numbers

Size	Ball runner blocks with size	Preload class		Accuracy class		Seals on ball runner blocks without ball chain	
		C0	C1	N	H	SS	LS
20	R1694 8	9	1	4	3	10	11
25 ¹⁾	R1694 2	9	1	4	3	10	11
E.g.:	R1694 8		1		3	10	

1) BSHP ball runner block

Order example

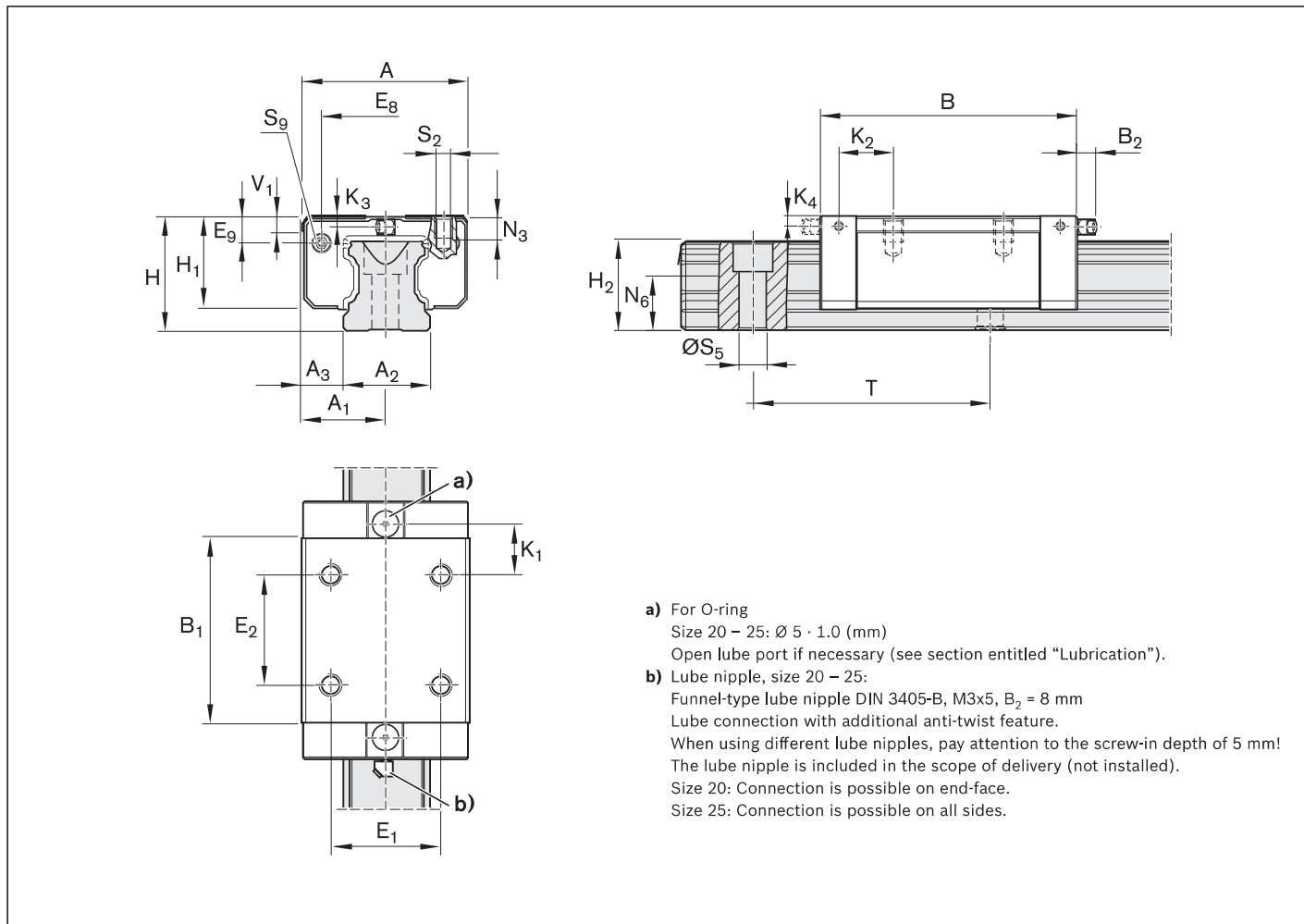
Options:

- ▶ Ball runner block SNN
- ▶ Size 20
- ▶ Preload class C1
- ▶ Accuracy class H
- ▶ With standard seal, without ball chain

Material number:

R1694 813 10

Preload classesC0 = Without preload (clearance)
C1 = Moderate preload**Seals**SS = Standard seal
LS = Low-friction seal**Key**gray numbers
= No preferred variant / combination
(partially longer delivery times)



- a) For O-ring
Size 20 – 25: $\varnothing 5 \cdot 1.0$ (mm)
Open lube port if necessary (see section entitled "Lubrication").
- b) Lube nipple, size 20 – 25:
Funnel-type lube nipple DIN 3405-B, M3x5, $B_2 = 8$ mm
Lube connection with additional anti-twist feature.
When using different lube nipples, pay attention to the screw-in depth of 5 mm!
The lube nipple is included in the scope of delivery (not installed).
Size 20: Connection is possible on end-face.
Size 25: Connection is possible on all sides.

Size	Dimensions (mm)																	
	A	A ₁	A ₂	A ₃	B ^{+0.5}	B ₁	E ₁	E ₂	E ₈	E ₉	H	H ₁	H ₂ ¹⁾	H ₂ ²⁾	K ₁	K ₂	K ₃	K ₄
20	42	21	20	11.0	72.5	49.6	32	32	30.5	5.6	28	23.0	20.75	20.55	13.0	-	3.6	-
25	48	24	23	12.5	81.0	57.8	35	35	38.3	8.5	33	26.5	24.45	24.25	16.6	17.0	4.1	4.1

Size	Dimensions (mm)							Mass (kg)	Load capacities ³⁾ (N)		Load moments ³⁾ (Nm)			
	N ₃	N ₆ ^{±0.5}	S ₂	S ₅	S ₉	T	V ₁		m	C	C ₀	M _t	M _{t0}	M _L
20	6.3	13.2	M5	6.0	M3x5	60	6.0	0.30	14500	24400	190	310	100	165
25	7.0	15.2	M6	7.0	M3x5	60	7.5	0.45	28600	35900	410	510	290	360

- 1) Dimension H₂ with cover strip
- 2) Dimension H₂ without cover strip
- 3) Load ratings and load moments for ball runner block **without** ball chain.
Determination of the dynamic load capacities and load moments is based on a stroke travel of 100,000 m according to DIN ISO 14728-1. Often only 50,000 m are actually stipulated. For comparison: Multiply the values **C**, **M_t** and **M_L** by 1.26 according to the table.