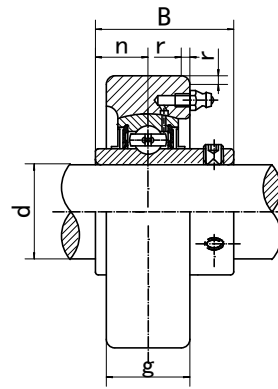
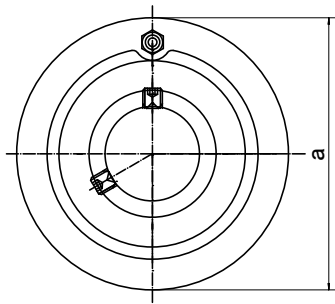


Cartridge Units

UCC3 (Heavy-duty)



Unit NO.	Dimensions (mm / in.)						Bearing No.	Housing No.	Weight (kg)
	d	a	g	r	B	n			
UCC305	25	90	26	2.5	38	15	UC305		0.93
305-13	13/16						UC305-13	C305	0.98
305-14	7/8	3.5433	1-1/32	0.098	1.4961	0.591	UC305-14		0.96
305-15	15/16						UC305-15		0.94
305-16	1						UC305-16		0.93
UCC306	30	100	28	2.5	43	17	UC306		1.28
306-17	1-1/16						UC306-17	C306	1.33
306-18	1-1/8	3.9370	1-7/64	0.098	1.6929	0.669	UC306-18		1.30
306-19	1-3/16						UC306-19		1.28
UCC307	35	110	32	3	48	19	UC307		1.67
307-20	1-1/4						UC307-20	C307	1.73
307-21	1-5/16	4.3307	1-17/64	0.118	1.8897	0.748	UC307-21		1.70
307-22	1/3/8						UC307-22		1.67
307-23	1-7/16						UC307-23		1.64
UCC308	40	120	34	3	52	19	UC308		2.11
308-24	1-1/2						UC308-24	C308	2.16
308-25	1-9/16	4.7244	1-11/32	0.118	2.0472	0.748	UC308-25		2.12
UCC309	45	130	38	3.5	57	22	UC309		2.71
309-26	1-5/8						UC309-26	C309	2.80
309-27	1-11/16	2.1181	1-1/2	0.138	2.441	0.866	UC309-27		2.76
309-28	1-3/4						UC309-28		2.71
UCC310	50	140	40	3.5	61	22	UC310		3.27
310-29	1-13/16						UC310-29	C310	3.61
310-30	1-7/8	5.5118	1-37/64	0.138	2.4015	0.866	UC310-30		3.36
310-31	1-15/16						UC310-31		3.30
UCC311	55	150	44	3.5	66	25	UC311		4.01
311-32	2						UC311-32	C311	4.19
311-33	2-1/16	5.9055	1-47/64	0.138	2.5984	0.984	UC311-33		4.12
311-34	2-1/8						UC311-34		4.06
311-35	2-3/16						UC311-35		3.98
UCC312	60	160	46	3.5	71	26	UC312		4.78
312-36	2-1/4						UC312-36	C312	4.93
312-37	2-5/16	6.2992	1-13/16	0.138	2.7953	1.024	UC312-37		4.85
312-38	2-3/8						UC312-38		4.76
312-39	2-7/16						UC312-39		4.68
UCC313	65	170	50	3.5	75	30	UC313		5.71
313-40	2-1/2						UC313-40	C313	5.80
313-41	2-9/16	6.6929	1-31/32	0.138	2.9528	1.181	UC313-41		5.70
UCC314	70	180	52	4	78	33	UC314		6.61
314-42	2-5/8						UC314-42	C314	6.83
314-43	2-11/16	7.0866	2-3/64	0.157	3.0709	1.299	UC314-43		6.72
314-44	2-3/4						UC314-44		6.62
UCC315	75	190	55	4	82	32	UC315		7.68
315-45	2-13/16						UC315-45	C315	7.95
315-46	2-7/8	7.4803	2-11/64	0.157	3.2288	1.26	UC315-46		7.81
315-47	2-15/16						UC315-47		7.72
315-48	3						UC315-48		7.59
UCC316	80	200	60	4	86	34	UC316		8.95
316-49	3-1/16						UC316-49	C316	9.12
316-50	3-1/8	7.8740	2-23/64	0.157	3.3858	1.339	UC316-50		8.98
316-51	3-3/16						UC316-51		8.89
UCC317	85	215	64	4	96	40	UC317		11.26
317-52	3-1/4						UC317-52	C317	11.48
317-53	3-5/16	8.4646	2-33/64	0.157	3.7795	1.575	UC317-53		11.45
317-55	3-7/16						UC317-55		11.23
UCC318	90	225	66	4	96	40	UC318		12.52
318-55	3-7/16						UC318-55	C318	12.81
318-56	3-1/2	8.8583	2-19/32	0.157	3.7795	1.575	UC318-56		12.63
UCC319	95	240	72	4	103	41	UC319		15.00
319-58	3-5/8						UC319-58	C319	15.33
319-59	3-11/16	9.4488	2-53/64	0.157	4.0551	1.614	UC319-59		15.15
317-60	3-3/4						UC317-60		14.96
UCC320	100	260	75	4	108	42	UC320		19.60
320-64	4	10.2362	2-61/64	0.157	4.2519	1.645	UC320-64	C320	19.40
UCC322	110	300	80	5	117	46	UC322		29.20
		11.8110	3-5/32	0.197	4.6063	1.811		C322	
UCC324	120	320	90	5	126	51	UC324		35.90
		12.5984	3-35/64	0.197	4.9606	2.008		C324	
UCC326	130	340	100	5	135	54	UC326		43.00
		13.3858	3-15/16	0.197	5.3150	2.126		C326	
UCC328	140	360	100	5	145	59	UC328		52.90
		14.1732	3-15/16	0.197	5.7086	3.323		C328	