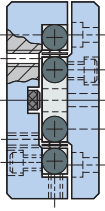


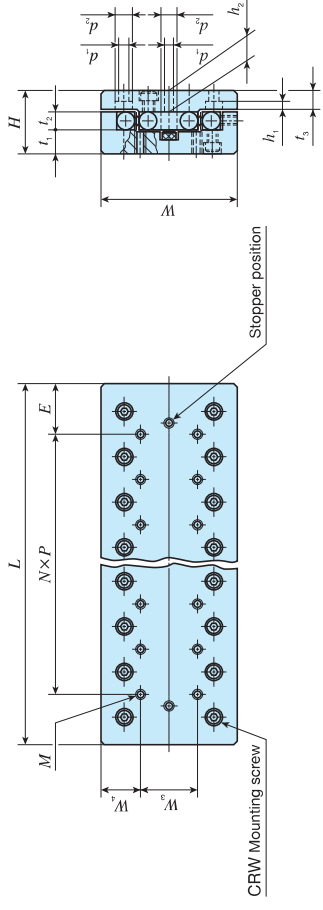
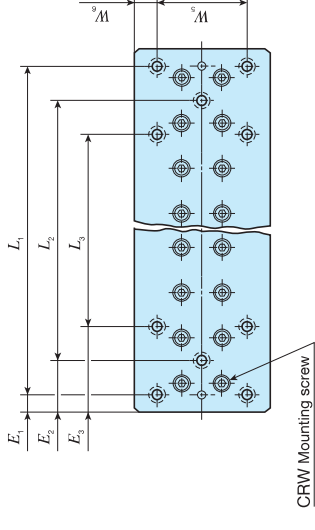
# IJK Crossed Roller Way Unit

CRW(G)(...H)  
CRWU(G)

## CRWU



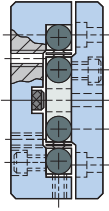
Size	30	40	60	80	100	145
------	----	----	----	----	-----	-----



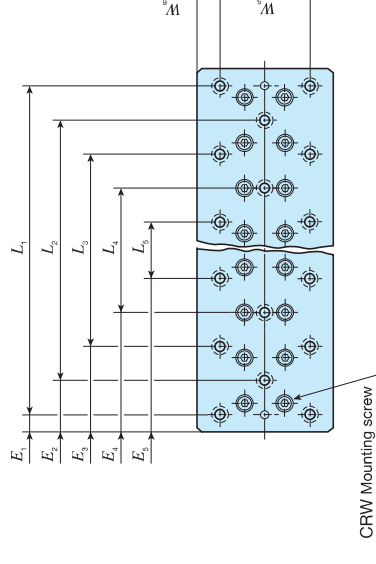
Identification number	Mass (Ref.) kg	Nominal dimensions and tolerances mm						Table mounting dimensions mm				Bed mounting dimensions mm										Basic dynamic load rating C N	Basic static load rating C <sub>0</sub> N	Allowable load F N	Static moment rating T <sub>0</sub> N·m							
		W	Dim.W tolerance	H	Dim.H tolerance	L	t <sub>1</sub>	t <sub>2</sub>	t <sub>3</sub>	Maximum stroke length	W <sub>3</sub>	W <sub>4</sub>	N×P	E	M	W <sub>5</sub>	W <sub>6</sub>	L <sub>1</sub>	E <sub>1</sub>	L <sub>2</sub>	E <sub>2</sub>					L <sub>3</sub>	E <sub>3</sub>	d <sub>1</sub>	d <sub>2</sub>	h <sub>1</sub>	h <sub>2</sub>	
CRWU 30- 25	0.09					25			12			—																	380	478	159	3.2
CRWU 30- 35	0.13					35			18			1×10																	525	717	239	4.8
CRWU 30- 45	0.17					45			25			2×10																659	956	319	6.5	
CRWU 30- 55	0.20	±0.1	17	±0.1	55	7	4	5.5	32	10	10	3×10	12.5	M2		4												786	1 200	398	8.1	
CRWU 30- 65	0.24				65				40			4×10											13.5					906	1 430	478	9.7	
CRWU 30- 75	0.28				75				45			5×10																1 020	1 670	558	11.3	
CRWU 30- 85	0.32				85				50			6×10																1 140	1 910	638	12.9	
CRWU 40- 35	0.21				35	8	6	6.5	18			—																896	1 180	392	10.6	
CRWU 40- 50	0.30				50				30			1×15																2 710	3 660	1 220	26.5	
CRWU 40- 65	0.37				65				40			2×15																2 710	3 660	1 220	26.5	
CRWU 40- 80	0.48	±0.1	21	±0.1	80	7	8	5.5	50	15	12.5	3×15	17.5	M3		5												4 050	6 090	2 030	44.2	
CRWU 40- 95	0.54				95				60			4×15																3 400	4 880	1 630	35.3	
CRWU 40-110	0.65				110				70			5×15																4 680	7 310	2 440	53.0	
CRWU 40-125	0.72				125				80			6×15																4 680	7 310	2 440	53.0	
CRWU 60- 55	0.68				55				30			—																2 710	3 660	1 220	51.2	
CRWU 60- 80	1.0				80				45			1×25																4 050	6 090	2 030	85.3	
CRWU 60-105	1.3				105				60			2×25																5 270	8 530	2 840	119	
CRWU 60-130	1.6	±0.1	28	±0.1	130	10.5	8	9	75	25	17.5	3×25	27.5	M4		10												5 860	9 750	3 250	137	
CRWU 60-155	1.9				155				90			4×25																6 970	12 200	4 060	171	
CRWU 60-180	2.2				180				105			5×25																8 040	14 600	4 880	205	
CRWU 60-205	2.5				205				130			6×25																8 550	15 800	5 280	222	

# IJK Crossed Roller Way Unit

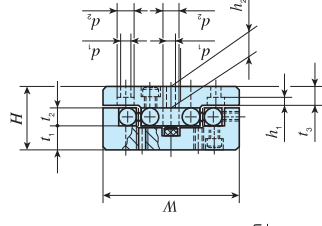
## CRWU



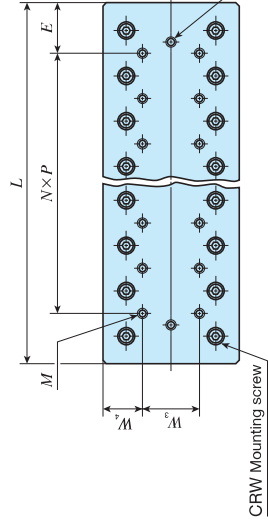
Shape	CRWU					
Size	30	40	60	80	100	145



CRWU Mounting screw



Stopper position

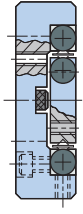


CRWU Mounting screw

Identification number	Mass (Ref.) kg	Nominal dimensions and tolerances mm										Table mounting dimensions mm						Bed mounting dimensions mm												Basic dynamic load rating		Basic static load rating		Allowable load		Static moment rating			
		W	Dim. W tolerance	H	Dim. H tolerance	L	t <sub>1</sub>	t <sub>2</sub>	t <sub>3</sub>	Maximum stroke length	W <sub>4</sub>	N x P	E	M	W <sub>5</sub>	W <sub>6</sub>	W <sub>6</sub>	L <sub>1</sub>	E <sub>1</sub>	L <sub>2</sub>	E <sub>2</sub>	L <sub>3</sub>	E <sub>3</sub>	L <sub>4</sub>	E <sub>4</sub>	L <sub>5</sub>	E <sub>5</sub>	L <sub>6</sub>	E <sub>6</sub>	d <sub>1</sub>	d <sub>2</sub>	h <sub>1</sub>	h <sub>2</sub>	C	N	C <sub>0</sub>	N	F	N
CRWU 80-85	1.8					85			50									65	10															6 640	9 400	3 130	188		
CRWU 80-125	2.6					125			75									80															9 130	14 100	4 700	282			
CRWU 80-165	3.4					165			105									120															10 300	16 500	5 480	329			
CRWU 80-205	4.2	±0.1	35	±0.1	205	13	11	10.5	135	20	3 x 40	42.5	M5	60	10		160	22.5				80										12 500	21 200	7 050	423				
CRWU 80-245	5.1				245				155		4 x 40							200				120	62.5									14 700	25 900	8 620	517				
CRWU 80-285	5.9				285				185		5 x 40							240				160										16 700	30 600	10 200	611				
CRWU 80-325	6.7				325				215		6 x 40							280				200				120	102.5					18 700	35 300	11 800	705				
CRWU 100-110*	3.6				110				60									90														13 900	18 500	6 150	415				
CRWU 100-160*	5.2				160				95		1 x 50							140														16 600	23 100	7 690	519				
CRWU 100-210*	6.9				210				130		2 x 50							190														21 600	32 300	10 800	727				
CRWU 100-260*	8.5	±0.15	45	±0.1	260	16	15	13	165	25	3 x 50	55	M6	60	20			240	10	140	60										26 300	41 500	13 800	934					
CRWU 100-310*	10.2				310				200		4 x 50							290		190											30 800	50 700	16 900	1 140					
CRWU 100-360*	11.8				360				235		5 x 50							340		240											35 100	60 000	20 000	1 350					
CRWU 100-410*	13.5				410				265		6 x 50							390		290											37 200	64 600	21 500	1 450					
CRWU 145-210*	13.2				210				130									100													39 400	52 800	17 600	1 900					
CRWU 145-310*	19.6				310				180		1 x 100							200													61 200	92 300	30 800	3 320					
CRWU 145-410*	25.9				410				350		2 x 100							300		100											67 900	106 000	35 200	3 800					
CRWU 145-510*	32.2	±0.2	60	±0.1	510	21	22	16	450	30	3 x 100	105	M8	90	27.5			400	55	200	155									74 400	119 000	39 600	4 270						
CRWU 145-610*	38.6				610				550		4 x 100							500		300											87 100	145 000	48 400	5 220					
CRWU 145-710*	45.0				710				650		5 x 100							600		400											99 200	172 000	57 200	6 170					
CRWU 145-810*	51.3				810				750		6 x 100							700		500											111 000	198 000	66 000	7 120					

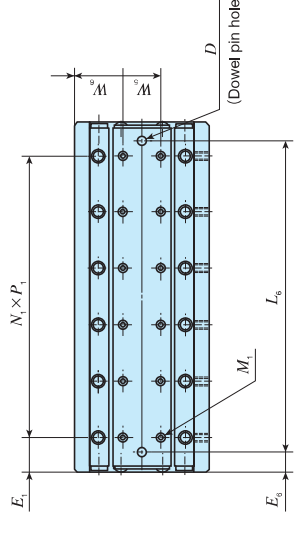
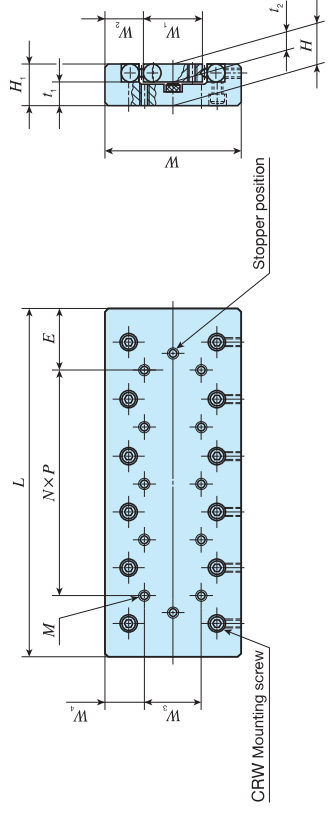
Remark: The identification numbers with \* are our semi-standard items.

# IJK Crossed Roller Way Unit



CRWU...R

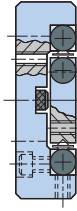
Size	30	40	60	80	100	145
------	----	----	----	----	-----	-----



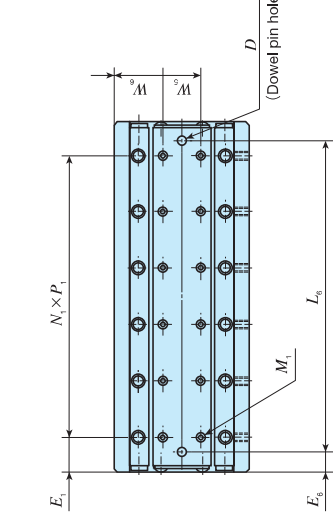
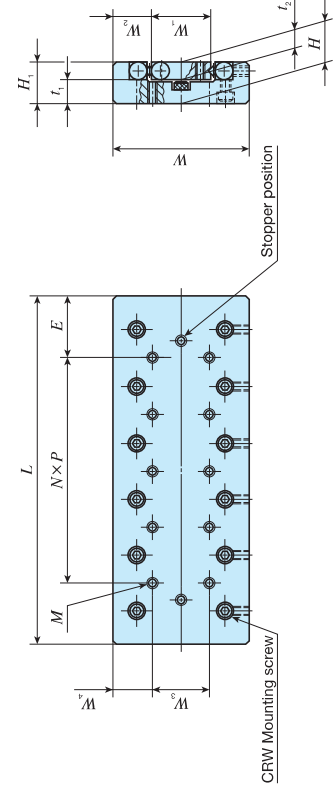
CRW(G)(...H)  
CRWU(G)

Identification number	Mass (Ref.) kg	Nominal dimensions and tolerances mm						Table mounting dimensions mm										Center way mounting dimensions and tolerances mm										Basic dynamic load rating C N	Basic static load rating C <sub>0</sub> N	Allowable load F N	Static moment rating T <sub>0</sub> N·m
		W	Dim. W tolerance	H	Dim. H tolerance	L	Maximum stroke length	W <sub>3</sub>	W <sub>4</sub>	N x P	E	M	H <sub>1</sub>	t <sub>1</sub>	W <sub>5</sub>	W <sub>6</sub>	N <sub>1</sub> x P <sub>1</sub>	E <sub>1</sub>	M <sub>1</sub>	D	Dim. D tolerance	L <sub>6</sub>	E <sub>6</sub>	W <sub>1</sub>	W <sub>2</sub>	t <sub>2</sub>					
CRWU 30- 25R	0.06					25	12			—									1 x 10									380	478	159	3.2
CRWU 30- 35R	0.08					35	18			1 x 10									2 x 10									525	717	239	4.8
CRWU 30- 45R	0.11					45	25			2 x 10									3 x 10									659	956	319	6.5
CRWU 30- 55R	0.13			11	±0.1	55	32	10	10	3 x 10	12.5	M2	7						4 x 10	7.5	M2							786	1 200	398	8.1
CRWU 30- 65R	0.16					65	40			4 x 10									5 x 10									906	1 430	478	9.7
CRWU 30- 75R	0.18					75	45			5 x 10									6 x 10									1 020	1 670	558	11.3
CRWU 30- 85R	0.21					85	50			6 x 10									7 x 10									1 140	1 910	638	12.9
CRWU 40- 35R	0.13			14		35	18			—			8						1 x 15	10								896	1 180	392	10.6
CRWU 40- 50R	0.21					50	30			1 x 15									2 x 15									2 710	3 660	1 220	26.5
CRWU 40- 65R	0.26					65	40			2 x 15									2 x 15	17.5								2 710	3 660	1 220	26.5
CRWU 40- 80R	0.34			15	±0.1	80	50	15	12.5	3 x 15	17.5	M3	7						4 x 15	10	M3							4 050	6 090	2 030	44.2
CRWU 40- 95R	0.38					95	60			4 x 15									5 x 15	17.5								3 400	4 880	1 630	35.3
CRWU 40-110R	0.46					110	70			5 x 15									6 x 15	25								4 680	7 310	2 440	53.0
CRWU 40-125R	0.50					125	80			6 x 15									6 x 15	25								4 680	7 310	2 440	53.0
CRWU 60- 55R	0.44					55	30			—									1 x 25									2 710	3 660	1 220	51.2
CRWU 60- 80R	0.66					80	45			1 x 25									2 x 25									4 050	6 090	2 030	85.3
CRWU 60-105R	0.85					105	60			2 x 25									3 x 25									5 270	8 530	2 840	119
CRWU 60-130R	1.1			18.5	±0.1	130	75	25	17.5	3 x 25	27.5	M4	10.5						4 x 25	15	M4							5 860	9 750	3 250	137
CRWU 60-155R	1.3					155	90			4 x 25									5 x 25									6 970	12 200	4 060	171
CRWU 60-180R	1.5					180	105			5 x 25									6 x 25									8 040	14 600	4 880	205
CRWU 60-205R	1.7					205	130			6 x 25									6 x 25									8 550	15 800	5 280	222

# IJK Crossed Roller Way Unit



CRWU...R



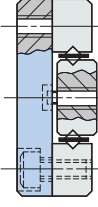
Shape	CRWU...R
Size	30 40 60 80 100 145

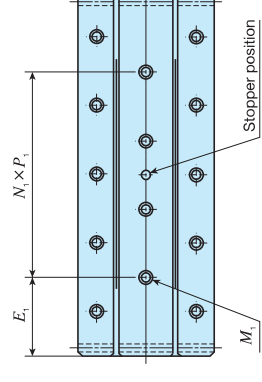
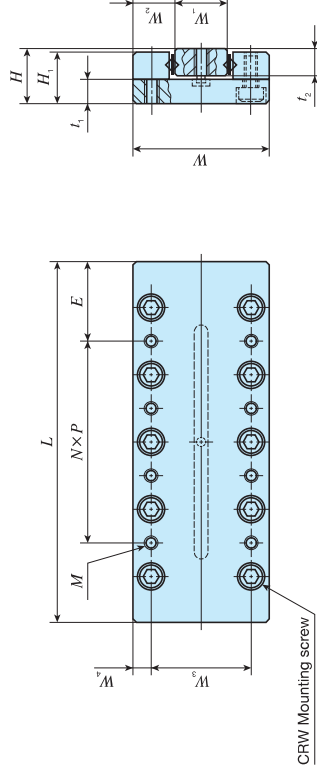
Identification number	Mass (Ref.) kg	Nominal dimensions and tolerances mm				Table mounting dimensions mm										Center way mounting dimensions and tolerances mm										Basic dynamic load rating C N	Basic static load rating C <sub>0</sub> N	Allowable load F N	Static moment rating T <sub>0</sub> N·m				
		W	Dim. W tolerance	H	Dim. H tolerance	L	Maximum stroke length	W <sub>3</sub>	W <sub>4</sub>	N x P	E	M	H <sub>1</sub>	t <sub>1</sub>	W <sub>5</sub>	W <sub>6</sub>	N <sub>1</sub> x P <sub>1</sub>	E <sub>1</sub>	M <sub>1</sub>	D	Dim. D tolerance	L <sub>6</sub>	E <sub>6</sub>	W <sub>1</sub>	W <sub>2</sub>					t <sub>2</sub>			
CRWU 80- 85R	1.2					85	50											1 x 40					55							6 640	9 400	3 130	188
CRWU 80-125R	1.8					125	75	1 x 40										2 x 40					95							9 130	14 100	4 700	282
CRWU 80-165R	2.3					165	105	2 x 40										3 x 40					135							10 300	16 500	5 480	329
CRWU 80-205R	2.9	±0.1	24	±0.1	205	135	40	3 x 40	42.5	M5	24	13		27	26.5	22.5	M5	5				175	15	38	21	11			12 500	21 200	7 050	423	
CRWU 80-245R	3.5				245	155		4 x 40										5 x 40					215						14 700	25 900	8 620	517	
CRWU 80-285R	4.0				285	185		5 x 40										6 x 40					255						16 700	30 600	10 200	611	
CRWU 80-325R	4.6				325	215		6 x 40										7 x 40					295						18 700	35 300	11 800	705	
CRWU 100-110R*	2.4				110	60												1 x 50					70						13 900	18 500	6 150	415	
CRWU 100-160R*	3.6				160	95		1 x 50										2 x 50					120						16 600	23 100	7 690	519	
CRWU 100-210R*	4.7				210	130		2 x 50										3 x 50					170						21 600	32 300	10 800	727	
CRWU 100-260R*	5.9	±0.15	31	±0.1	260	165	50	3 x 50	55	M6	31	16		26	37	30	M6	5				220	20	42	29	15			26 300	41 500	13 800	934	
CRWU 100-310R*	7.0				310	200		4 x 50										5 x 50					270						30 800	50 700	16 900	1 140	
CRWU 100-360R*	8.1				360	235		5 x 50										6 x 50					320						35 100	60 000	20 000	1 350	
CRWU 100-410R*	9.3				410	265		6 x 50										7 x 50					370						37 200	64 600	21 500	1 450	
CRWU 145-210R*	9.4				210	130												1 x 100					150						39 400	52 800	17 600	1 900	
CRWU 145-310R*	13.9				310	180		1 x 100										2 x 100					250						61 200	92 300	30 800	3 320	
CRWU 145-410R*	18.4				410	350		2 x 100										3 x 100					350						67 900	106 000	35 200	3 800	
CRWU 145-510R*	23.0	±0.2	42.5	±0.1	510	450	85	3 x 100	105	M8	43	21		46	49.5	55	M8	5				450	30	68.4	38.3	21			74 400	119 000	39 600	4 270	
CRWU 145-610R*	27.5				610	550		4 x 100										5 x 100					550						87 100	145 000	48 400	5 220	
CRWU 145-710R*	32.0				710	650		5 x 100										6 x 100					650						99 200	172 000	57 200	6 170	
CRWU 145-810R*	36.6				810	750		6 x 100										7 x 100					750						111 000	198 000	66 000	7 120	

Remark: The identification numbers with \* are our semi-standard items.

# IJK Crossed Roller Way Unit

CRW(G)(...H)  
CRWU(G)

Shape	CRWU...RS		
			
Size	20	30	40



Identification number	Mass (Ref.) kg	Nominal dimensions and tolerances mm					Table mounting dimensions mm					Center way mounting dimensions mm					Basic dynamic load rating		Basic static load rating		Allowable load		Static moment rating					
		W	Dim. W tolerance	H	Dim. H tolerance	L	Maximum stroke length	W <sub>3</sub>	W <sub>4</sub>	N x P	E	M	H <sub>1</sub>	t <sub>1</sub>	W <sub>1</sub>	W <sub>2</sub>	N <sub>1</sub> x P <sub>1</sub>	E <sub>1</sub>	M <sub>1</sub>	t <sub>2</sub>	C	C <sub>0</sub>	F	T <sub>0</sub>	N	N	N	N · m
CRWU 20- 25RS	0.03					25	12										2 x 7.5	5				380	478	159	1.8			
CRWU 20- 35RS	0.05					35	18										2 x 10					525	717	239	2.8			
CRWU 20- 45RS	0.06	±0.1	8	±0.1	45	25	14	3	1 x 20	12.5	M2.5	7.5	3.5	7	6.5	3 x 10	7.5	M2.5	4		659	956	319	3.7				
CRWU 20- 55RS	0.07				55	32			1 x 30							4 x 10					786	1 200	398	4.6				
CRWU 30- 65RS	0.20				65	40			1 x 30							3 x 15					1 850	2 940	979	19.1				
CRWU 30- 80RS	0.24	±0.1	12	±0.1	80	50	22	4	1 x 45	17.5	M3	11.5	5.5	12	9	4 x 15	10	M3	6		2 130	3 530	1 180	22.9				
CRWU 30- 95RS	0.29				95	60			2 x 30							5 x 15					2 410	4 110	1 370	26.7				
CRWU 40-105RS	0.58				105	60			1 x 50							3 x 25					4 680	7 310	2 440	63.6				
CRWU 40-130RS	0.72	±0.1	16	±0.1	130	75	30	5	1 x 75	27.5	M4	15.5	7.5	16	12	4 x 25	15	M4	8		5 860	9 750	3 250	84.8				
CRWU 40-155RS	0.85				155	90			2 x 50							5 x 25					6 970	12 200	4 060	106				